

Section _____

HV Outer sheath

Application _____

Field

Laboratory



PRODUCT BENEFITS

Neat and steady striping thanks to the back-Iron

TOOL CAPACITY

Diameter 60 - 160 mm
2,362 - 6,299 inch

Min depth machining of the sheath 2 mm / 0,078 in

TOOL DIMENSIONS

Length 640 mm

Width 226 mm

Height 113 mm

Weight without box 8,6 Kg

Packaging Case

ALROC SAS

Z.I. de la Fonderie - 72160 TUFFE

FRANCE

Phone: +33 2 43 71 11 80

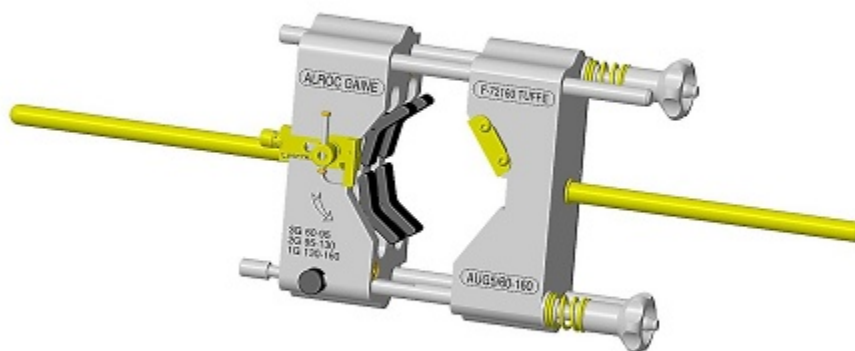
Fax number : +33 2 43 71 16 51

www.alroc.fr

Tool for semiconductive layer over outer sheath

TO DO WHAT

The CAUG5/60-160 enables the user to remove the semiconductive layer located over the outer sheath on HV cable



Spare part

LASCT5 - Spare blade for bonded semiconductor (with heel)

Associated tool

DMSR/80-160 - HV cable outer sheath stripping tool

EGA - HV and EHV cable's outer sheath and shield spreaders

EV HTB - HV and EHV cable's outer sheath and shield splitters

HV cables Tools

CAUG5/60-160



| Part Number | Diameter | Tool capacity | Dimensions | | | Packaging |
|---------------------|---------------------------------|-----------------------------------|---------------------|--------------------|--------------------|-----------|
| | | Min depth machining of the sheath | Length | Width | Height | |
| CAUG5/60-160 | 60 - 160 mm 2,362 - 6,299 in | 2 mm / 0,078 in | 640 mm 25,197 in | 226 mm 8,898 in | 113 mm 4,449 in | case |